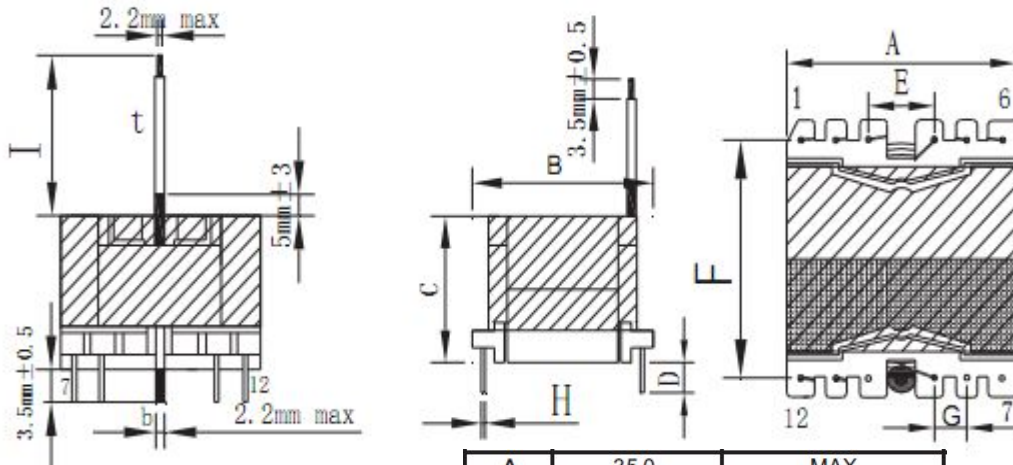


CUSTOMER TERMINAL	ROHS	Lead(Pb)-free
	YES	YES

1.Mechanical Dimensions



A	35.0	MAX
B	35.0	MAX
C	23.5	MAX
D	3.5	±0.5
E	7.6	±0.3
F	30.0	±0.4
G	5.0	±0.3
H	0.80	±0.1
I	45.0	±2.0

3.Material List

Core:FW44 PQ3220

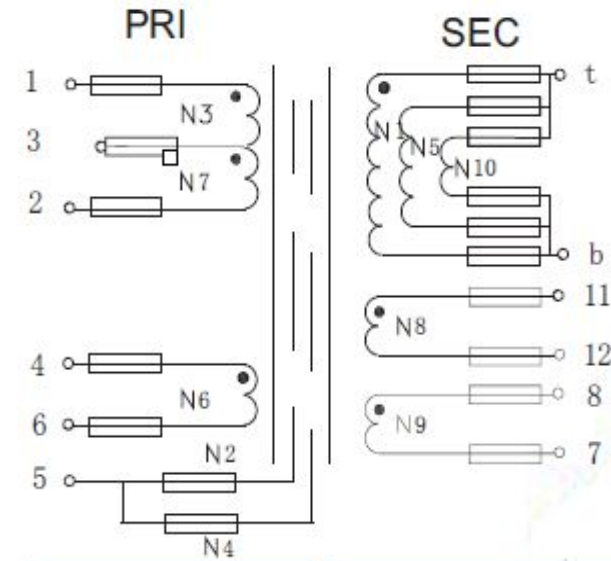
Bobbin:FWB3201-1(6+6PIN)

Wire:2UEW TIW

Copper foil:0.025t*8.0mm

Operating Temperature: -30 to115 °C

2.Schematic Diagram



4.Electrical Specification

Inductance : $L(1-2):0.6mH \pm 5\%$ 30KHZ , 1.0V

Leakage Inductance : $6\mu H$ MAX 30KHZ , 1.0V

DCR : $(1-2)=331m\Omega$ MAX $(B-T)=30m\Omega$ MAX

Hi-Pot:P-S: AC 60Hz 4000V 2mA 3S

P-CORE: AC 60Hz 500V 2mA 3S

REV.	DATE	<p>Convention Placement</p>	DRW.	Drawing Title:	Part No:		
0	00/00		CHK.			TRANSFORMER	FWPTPQ3220V601J
			APP.			Customer P/N	Specification Sheet 1of 1
ROHS		www.ferriwo.com					